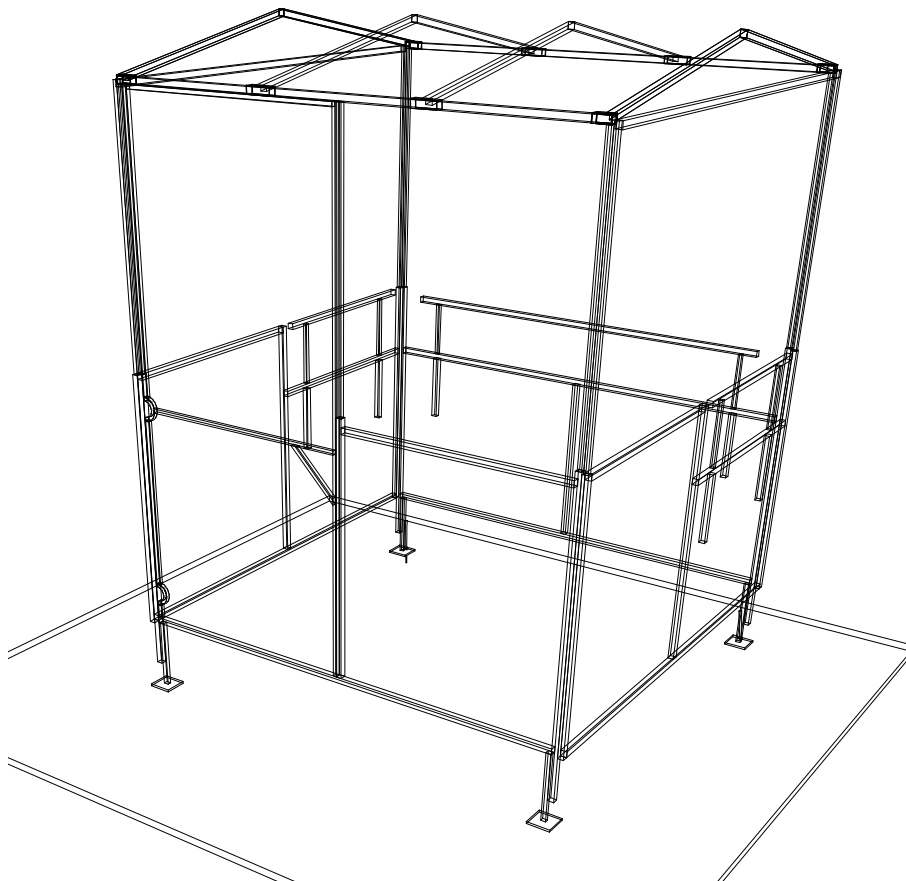




GROUND BLINDS



2009 Model

Patent Pending

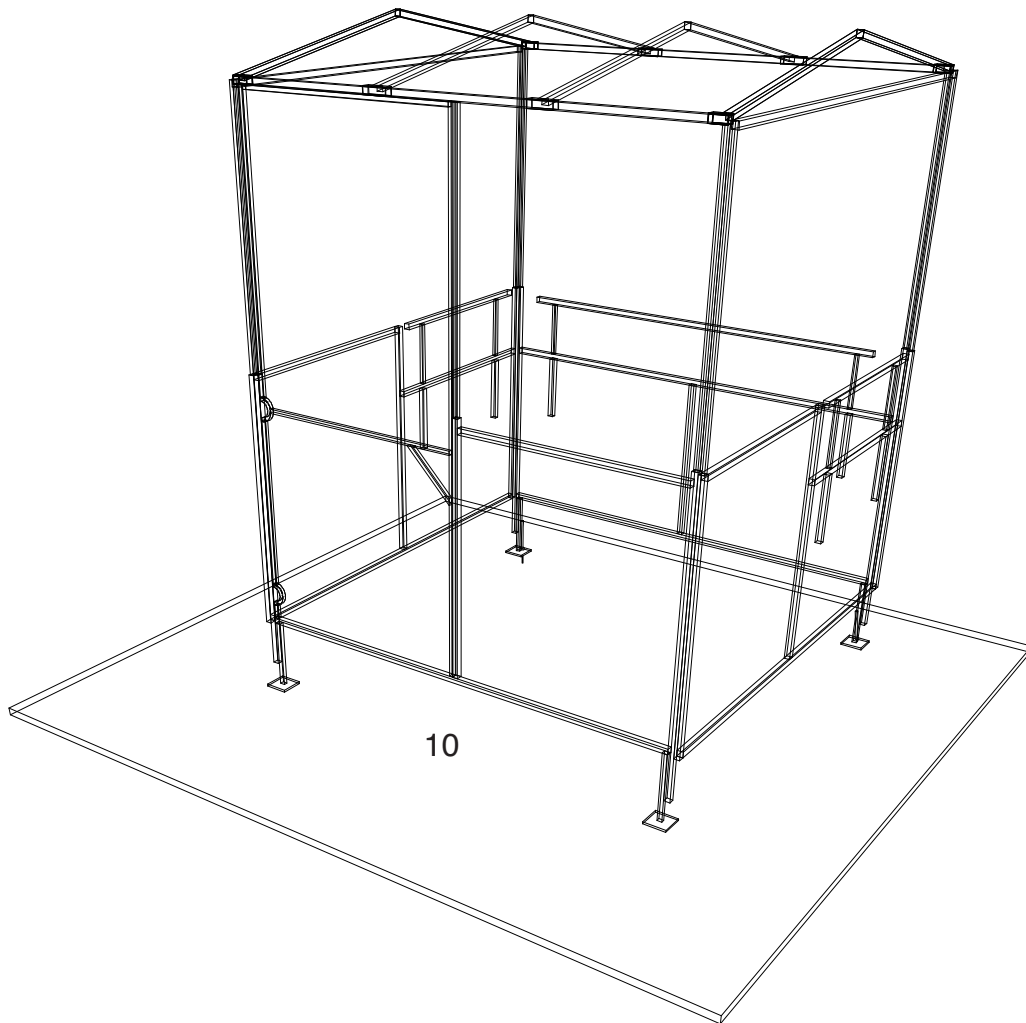
For More Information:

XXXL Ground Blinds
5807 Babcock rd. #105
San Antonio, Texas 78240

www.xxxlgroundblinds.com

Description List

- 10: is the overall invention
- 12: is the collapsible steel frame front panel
- 14: is the collapsible steel frame back panel
- 16: is the collapsible steel frame right side panel
- 18: is the collapsible steel frame left side panel
- 20: are the roof truss braces
- 22: is the door
- 24: are the door hinges
- 26: are the foot supports
- 28: are the built-in gun rests
- 30: is the rod & hinge nut connectors
- 32: are the "T" bolt connectors
- 34: are the roof to frame connector means
- 36: is the wrap covering
- 38: is the optional screen netting window

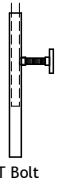


30



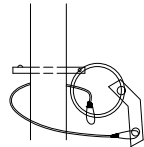
Round Rod In
Hinge Nut

32



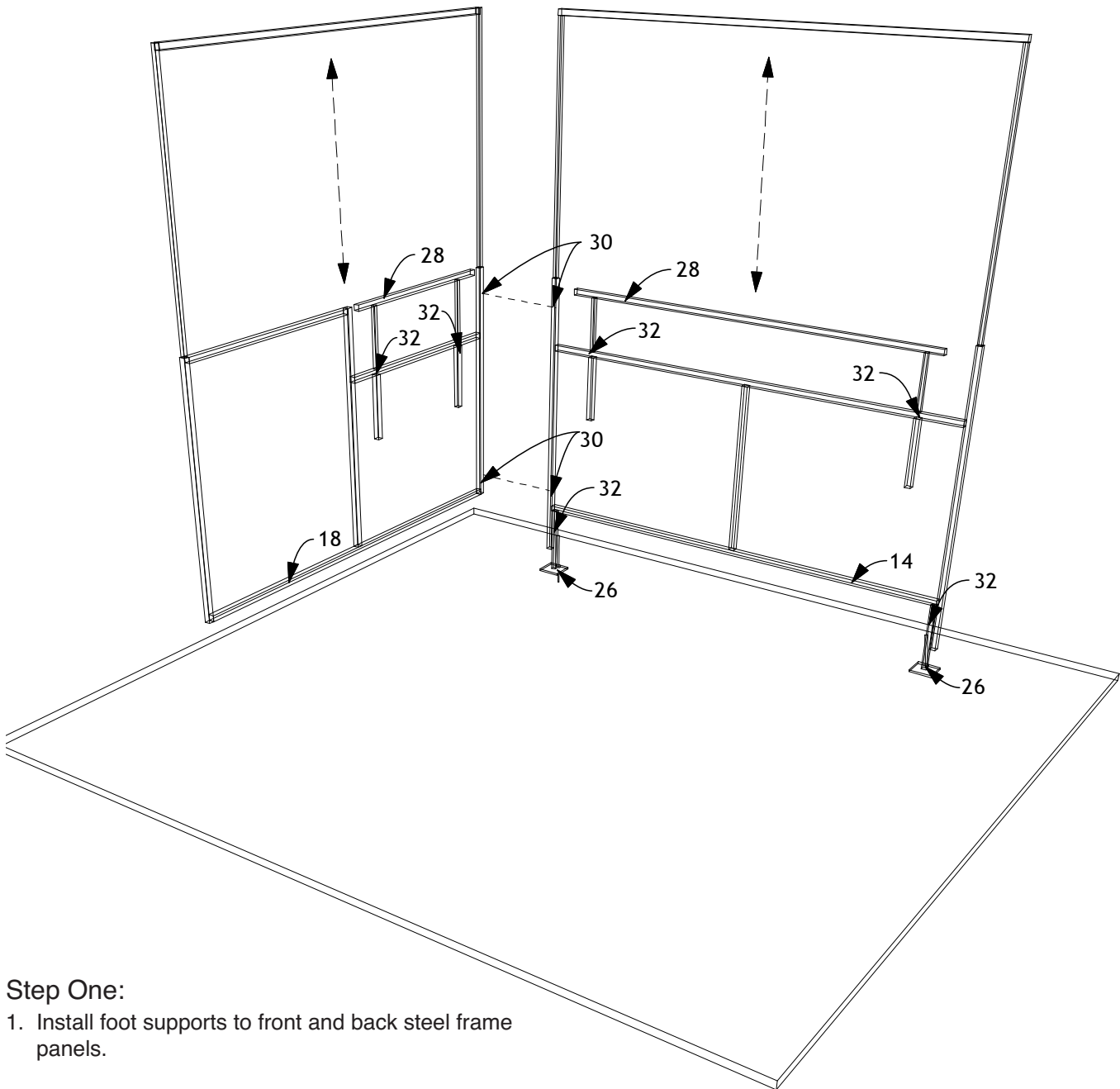
T Bolt

40



Pin Clamp

Frame Installation

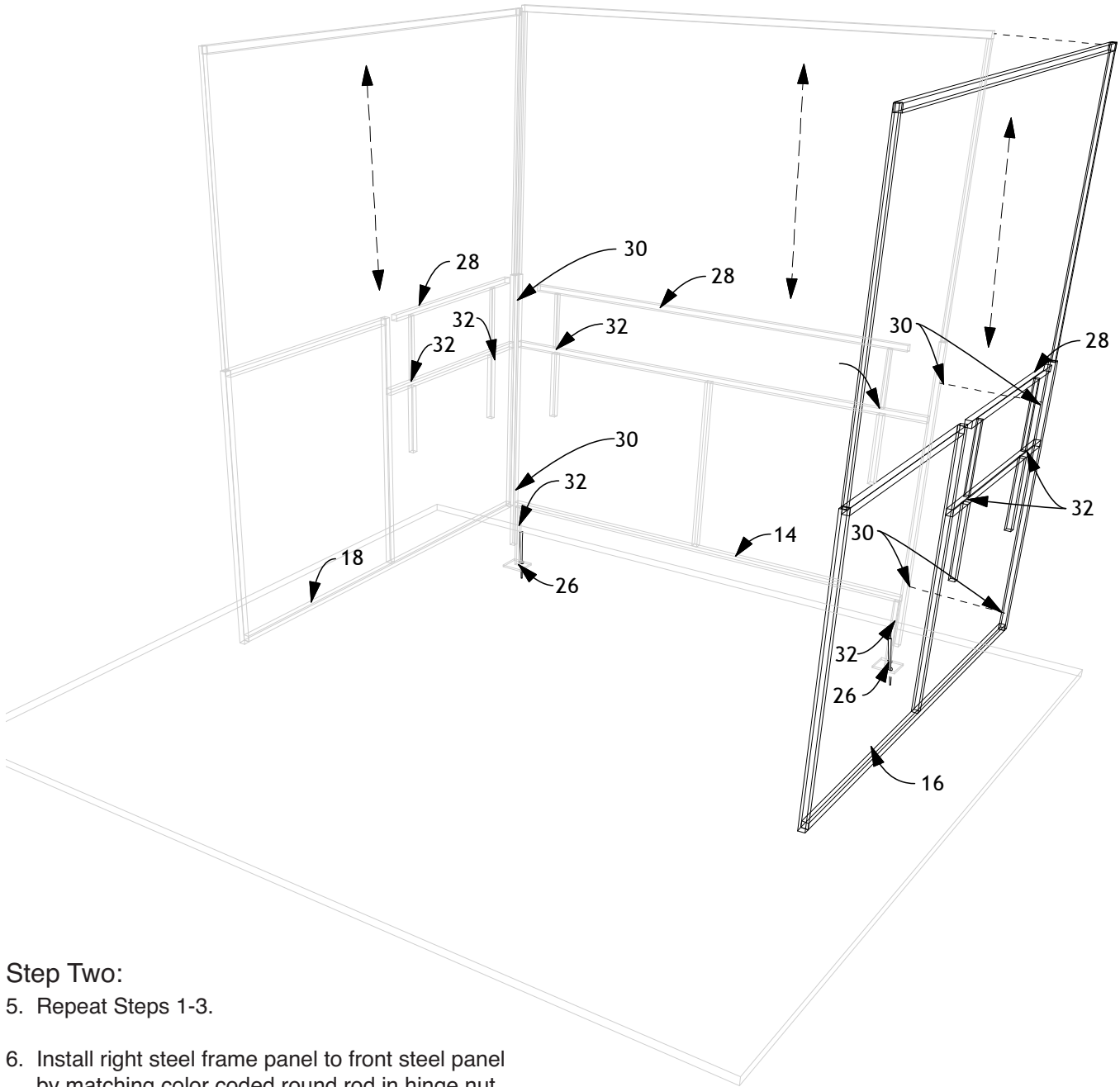


Step One:

1. Install foot supports to front and back steel frame panels.
2. Secure each foot support with "T" bolts and turn clockwise.

(Make sure that foot support piercing is facing outward.)
3. Stake the front steel frame panel to ground with one spike at each foot support.
4. Install left steel frame panel to front panel by matching color coded round rod in hinge nut connectors.

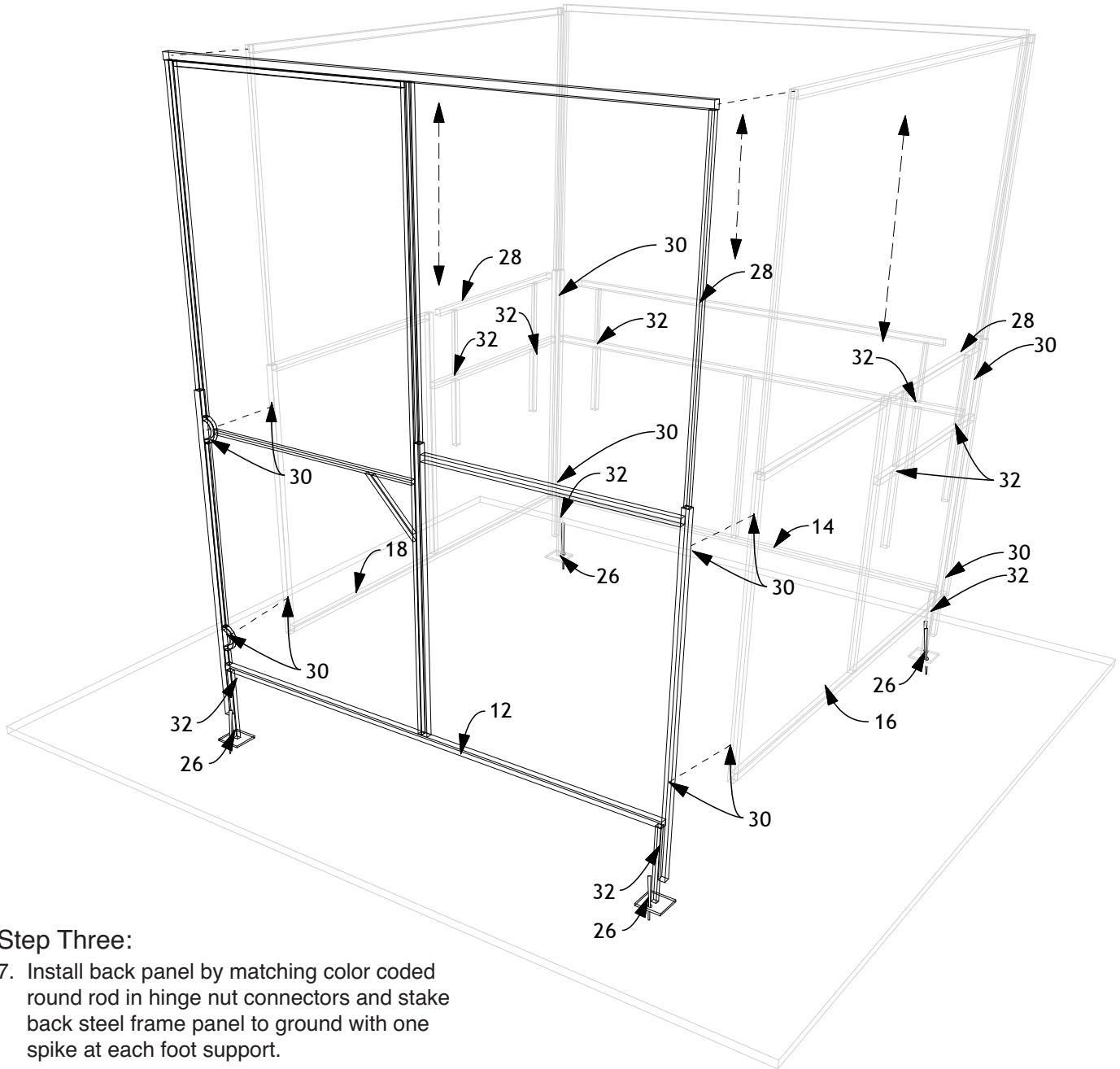
(Make sure all "T" bolts are facing interior of blind and rifle rest is toward front panel.)



Step Two:

5. Repeat Steps 1-3.
6. Install right steel frame panel to front steel panel by matching color coded round rod in hinge nut connectors.

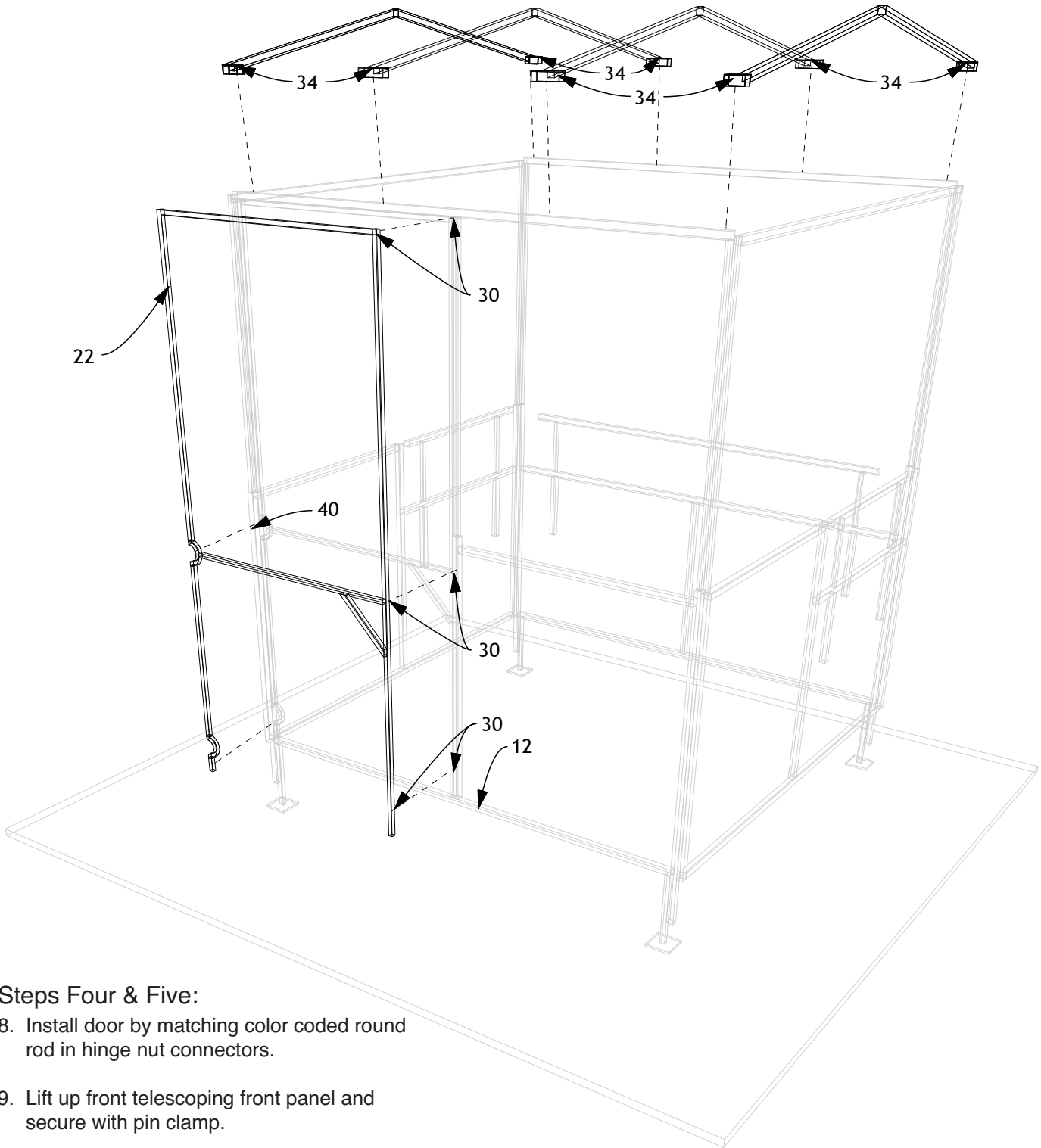
(Make sure all "T" bolts are facing interior of blind and rifle rest is toward front panel.)



Step Three:

7. Install back panel by matching color coded round rod in hinge nut connectors and stake back steel frame panel to ground with one spike at each foot support.

(Make sure that hinge nuts are facing interior of blind.)



Steps Four & Five:

8. Install door by matching color coded round rod in hinge nut connectors.

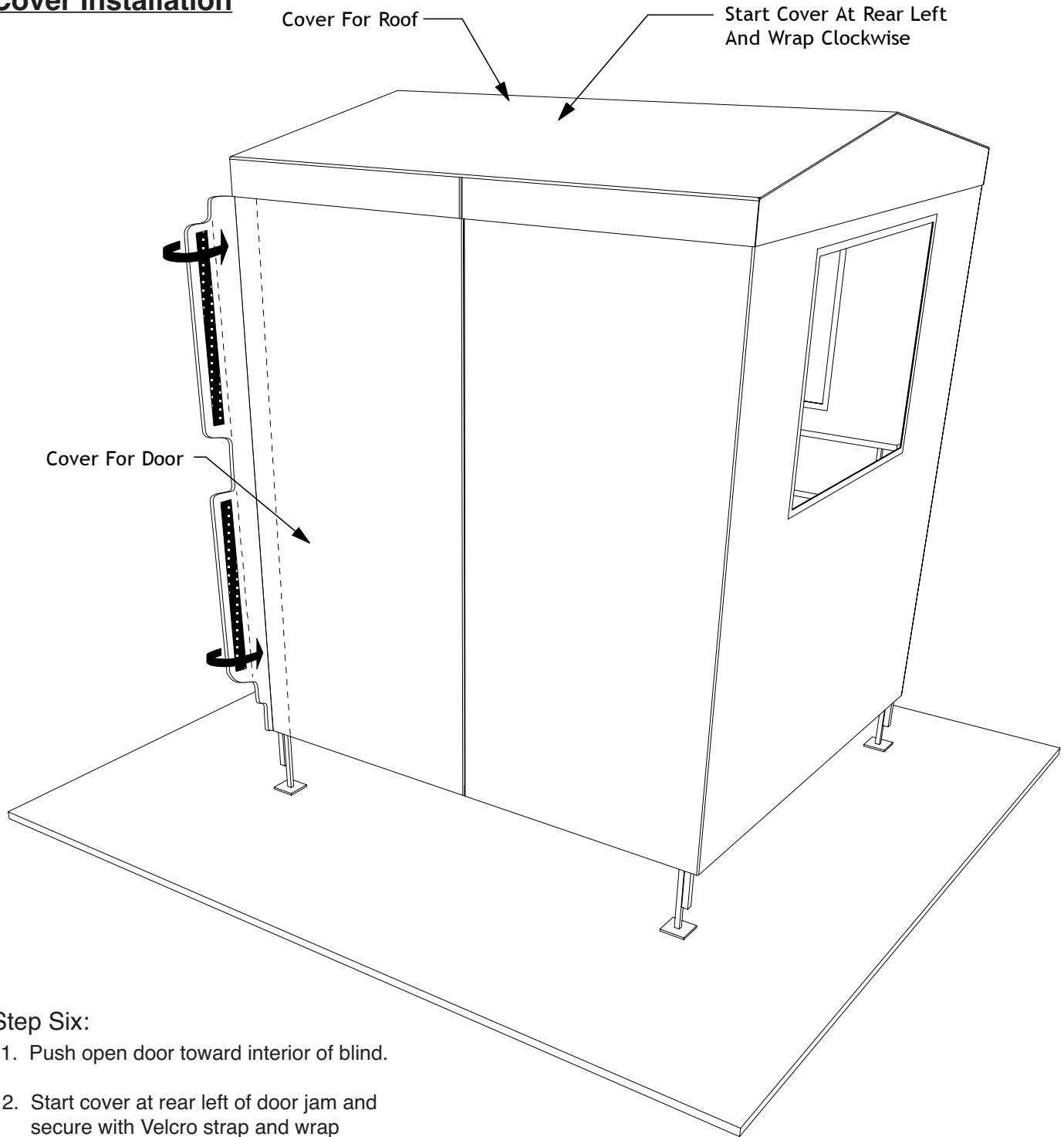
9. Lift up front telescoping front panel and secure with pin clamp.

(Repeat Step 6 for back telescoping panel.)

10. Install roof trusses by slipping onto telescoping panels and secure each roof truss with "T" bolts and turn clockwise.

(Repeat process for all roof trusses. 4 totals)

Cover Installation



Step Six:

11. Push open door toward interior of blind.
12. Start cover at rear left of door jam and secure with Velcro strap and wrap clockwise.
13. Continue clock-wise and pull around and secure wrap around door jam with Velcro strap.
14. Slip on door cover onto door frame and secure with Velcro strap.
15. Install roof cover by making sure that **XXXL Ground Blinds Logo** is facing right and left sides of blind.
16. Pull over and secure to bottom wrap with Velcro strap.

(Make sure "XXXL Ground Blinds" logo is facing outside of blind.)